

### 1. Description

BLP08N10G, the N-channel Enhanced Power MOSFETs, is obtained by advanced double trench technology which reduce the conduction loss, improve switching performance and enhance the avalanche energy. This is suitable device for Synchronous rectification and high speed switching applications.

#### KEY CHARACTERISTICS

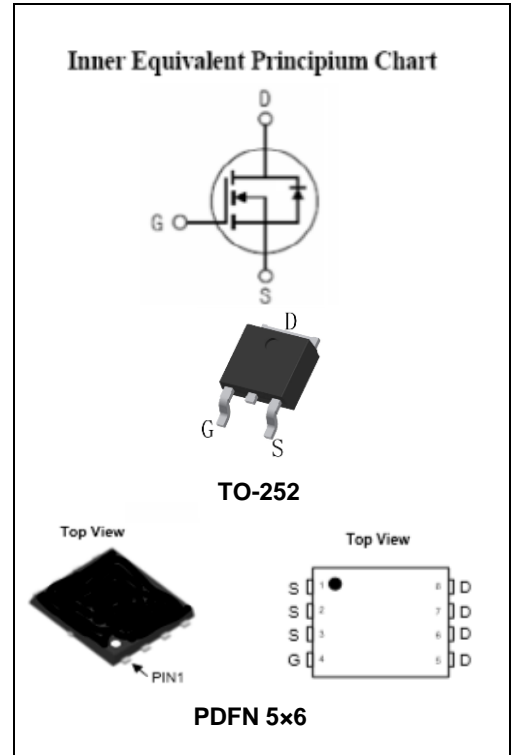
Parameter	Value	Unit
V <sub>DSS</sub>	100	V
I <sub>D</sub>	60	A
R <sub>DS(on)</sub> @10V.typ	7.5	mΩ

#### FEATURES

- Fast Switching
- Low On-Resistance
- Low Gate Charge
- Low Reverse transfer capacitances
- High avalanche ruggedness
- RoHS product

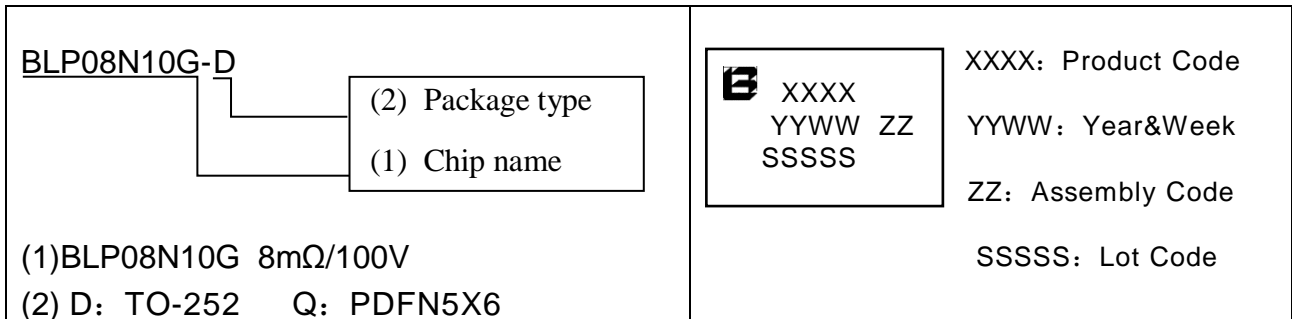
#### APPLICATIONS

- Synchronous rectification
- High speed switching applications



### ORDERING INFORMATION

Ordering Codes	Package	Product Code	Packing
BLP08N10G-D	TO-252	P08N10G	Reel
BLP08N10G-Q	PDFN5X6	P08N10G	Reel



## 2. ABSOLUTE RATINGS

at  $T_C=25^\circ\text{C}$ , unless otherwise specified

Symbol	Parameter	Rating	Units
$V_{DSS}$	Drain-Source Voltage	100	V
$I_D$	Continuous Drain Current, Silicon Limited	66	A
	Continuous Drain Current, Package Limited	60	A
	Continuous Drain Current @ $T_C=100^\circ\text{C}$ , Silicon Limited	42.3	A
$I_{DM}$ <sup>Note1</sup>	Pulsed Drain Current	240	A
$V_{GS}$	Gate-Source Voltage	$\pm 20$	V
$E_{AS}$ <sup>Note2</sup>	Avalanche Energy	156	mJ
$P_D$	Power Dissipation	73.5	W
	Derating Factor above $25^\circ\text{C}$	0.59	W/ $^\circ\text{C}$
$T_J, T_{stg}$	Operating Junction and Storage Temperature Range	150, $-55$ to $150$	$^\circ\text{C}$
$T_L$	Maximum Temperature for Soldering	260	$^\circ\text{C}$

Note1: Repetitive Rating: Pulse width limited by maximum junction temperature

Note2:  $L=0.5\text{mH}$ ,  $I_{as}=25\text{A}$ , Start  $T_J=25^\circ\text{C}$

## 3. Thermal characteristics

Symbol	Parameter	Max	Units
$R_{\theta JC}$	thermal resistance, Junction-Case	1.7	$^\circ\text{C}/\text{W}$
$R_{\theta JA}$	thermal resistance, Junction-Ambient	62.5	$^\circ\text{C}/\text{W}$

## 4. Electrical Characteristics

at  $T_C=25^\circ\text{C}$ , unless otherwise specified

OFF Characteristics						
Symbol	Parameter	Test Conditions	Values			Units
			Min	Typ	Max	
$V_{DSS}$	Drain-Source Breakdown Voltage	$V_{GS}=0\text{V}$ , $I_D=250\mu\text{A}$	100	110	--	V
$I_{DSS}$	Drain-Source Leakage Current	$V_{DS}=100\text{V}$ , $V_{GS}=0\text{V}$	--	--	1	$\mu\text{A}$
		$V_{DS}=80\text{V}$ , $V_{GS}=0\text{V}$ @ $T_C=125^\circ\text{C}$	--	--	100	$\mu\text{A}$
$I_{GSS(F)}$	Gate-Source Forward Leakage	$V_{GS}=+20\text{V}$	--	--	100	nA
$I_{GSS(R)}$	Gate-Source Reverse Leakage	$V_{GS}=-20\text{V}$	--	--	-100	nA

**ON Characteristics**

Symbol	Parameter	Test Conditions	Values			Unit
			Min	Typ	Max	
$R_{DS(on)}$	Drain-Source On-Resistance	$V_{GS}=10V, I_D=30A$	--	7.5	8	$m\Omega$
$V_{GS(th)}$	Gate Threshold Voltage	$V_{DS}=V_{GS}, I_D=250\mu A$	2	3	4	V

Pulse width  $t_p \leq 300\mu s, \delta \leq 2\%$

**Dynamic Characteristics**

Symbol	Parameter	Test Conditions	Values			Units
			Min	Typ	Max	
$C_{iss}$	Input Capacitance	$V_{DS}=50V,$ $V_{GS}=0,$ $f=1MHz$	--	2350	--	pF
$C_{oss}$	Output Capacitance		--	670	--	
$C_{rss}$	Reverse Transfer Capacitance		--	10	--	
$Q_g$	Total Gate Charge	$V_{DD}=50V,$ $I_D=30A,$ $V_{GS}=10V$	--	44.5	--	nC
$Q_{gs}$	Gate-Source charge		--	12.9	--	
$Q_{gd}$	Gate-Drain charge		--	10.8	--	
$R_G$	Gate resistance	$V_{GS}=0, V_{DS}=0$		1.1		$\Omega$

**Switching Characteristics**

Symbol	Parameter	Test Conditions	Values			Units
			Min	Typ	Max	
$t_{d(on)}$	Turn-On Delay Time	$V_{DD}=50V,$ $I_D=30A,$ $V_{GS}=10V,$ $R_G=5\Omega,$ Resistive Load	--	15	--	ns
$t_r$	Rise Time		--	10	--	
$t_{d(off)}$	Turn-Off Delay Time		--	33	--	
$t_f$	Fall Time		--	13	--	

**Source-Drain Diode Characteristics**

Symbol	Parameter	Test Conditions	Values			Units
			Min	Typ	Max	
$I_S$	Continuous Source Current		--	--	60	A
$I_{SM}$	Maximum Pulsed Current		--	--	240	A
$V_{SD}$	Diode Forward Voltage	$V_{GS}=0V, I_S=30A$	--	--	1.2	V
$T_{rr}$	Reverse Recovery Time	$I_S=30A, V_{GS}=0,$ $di/dt=100A/us$	--	43	--	ns
$Q_{rr}$	Reverse Recovery Charge		--	114	--	nC

## 5. Characteristics Curves

Figure 1. Safe Operating Area

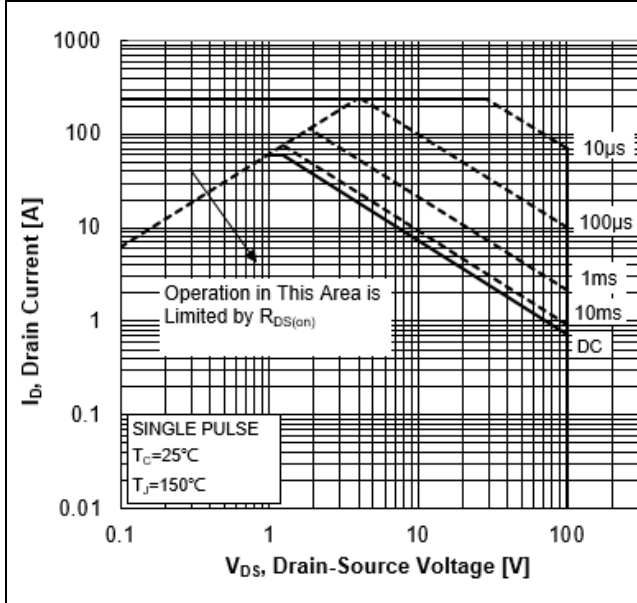


Figure 2. Maximum Power Dissipation vs Case Temperature

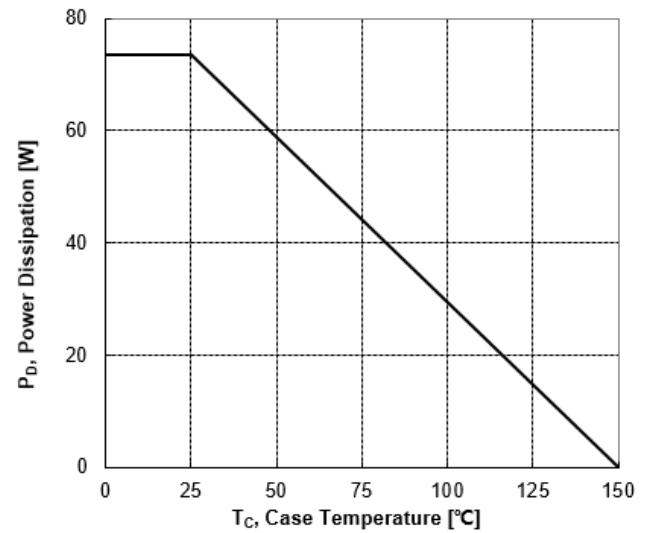


Figure 3. Maximum Continuous Drain Current vs Case Temperature

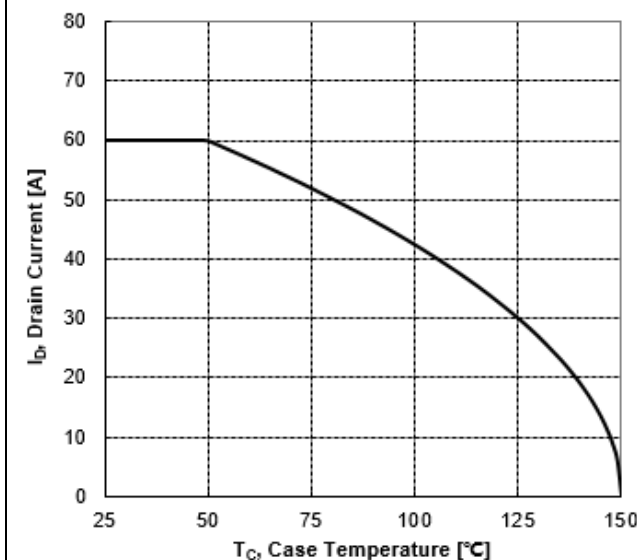


Figure 4. Typical Output Characteristics

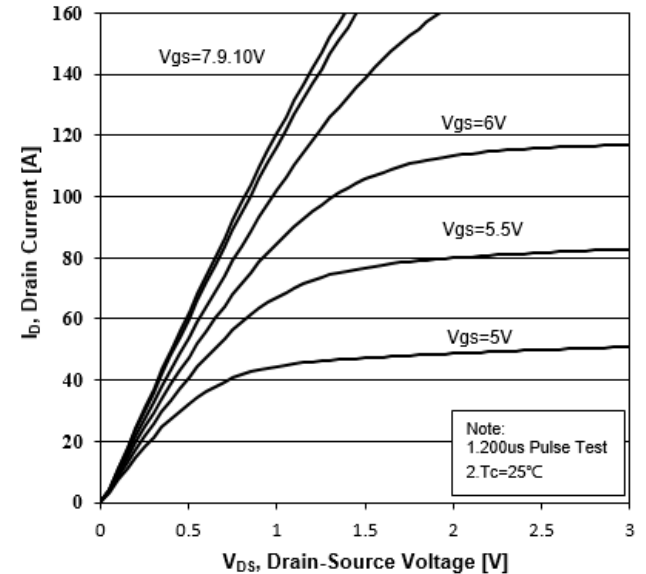


Figure 5. Transient Thermal Impedance

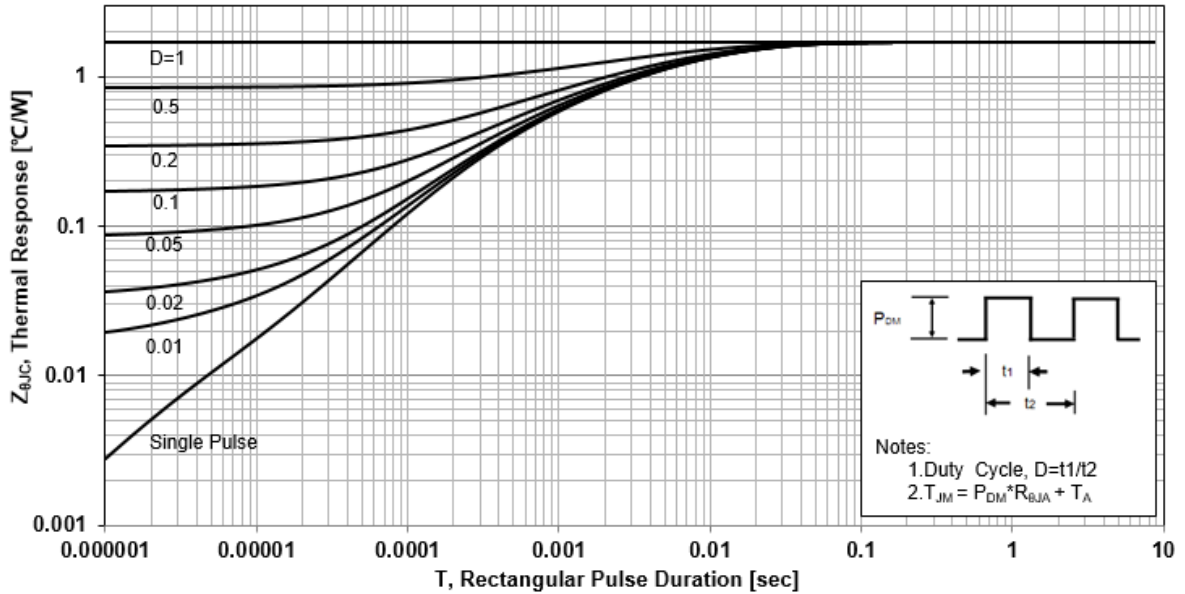


Figure 6. Typical Transfer Characteristics

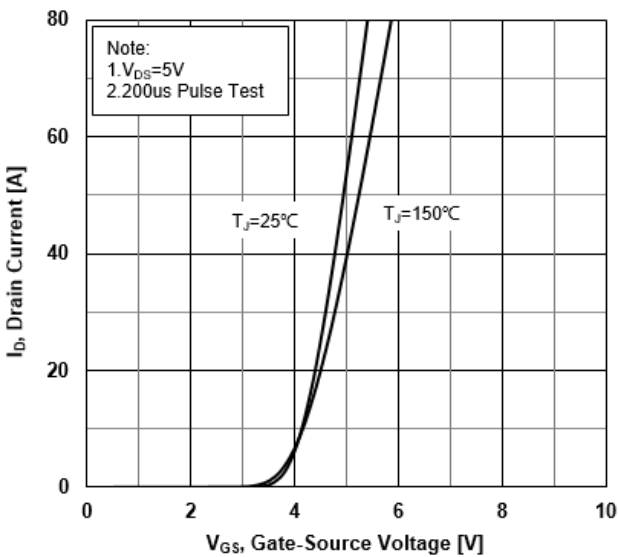
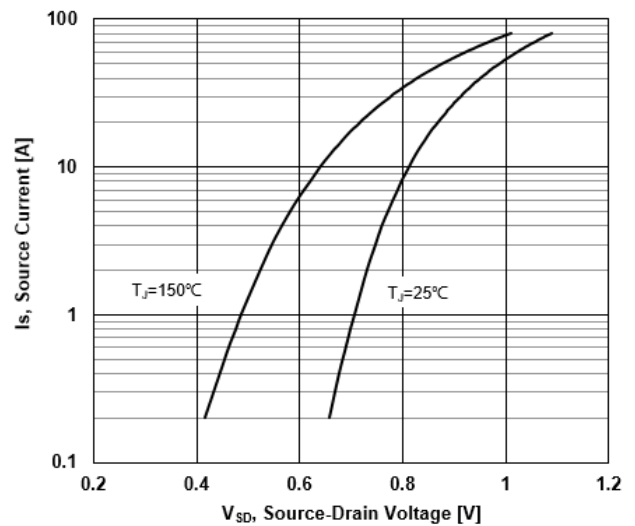
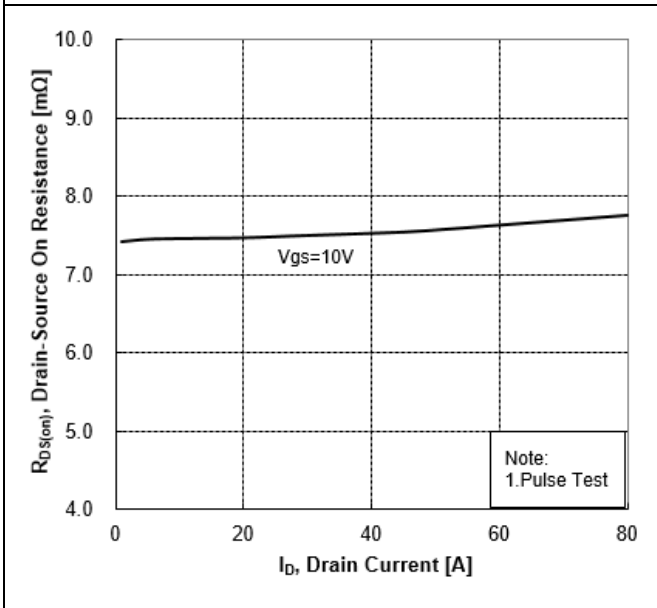


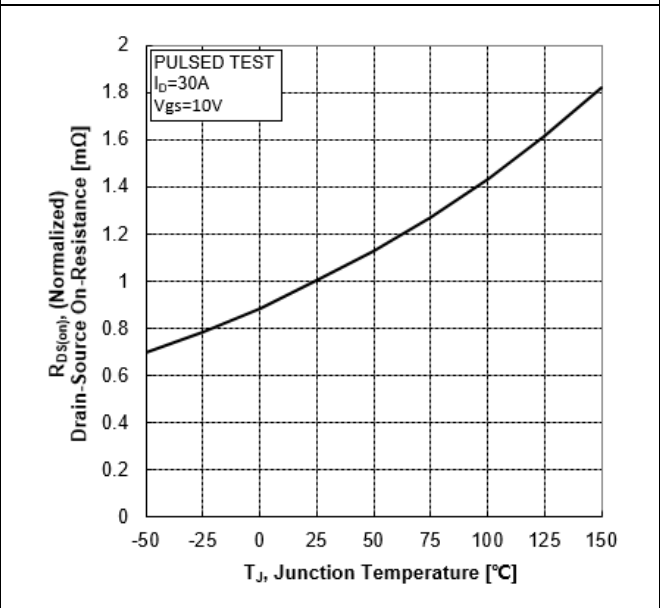
Figure 7. Source-Drain Diode Forward Characteristics



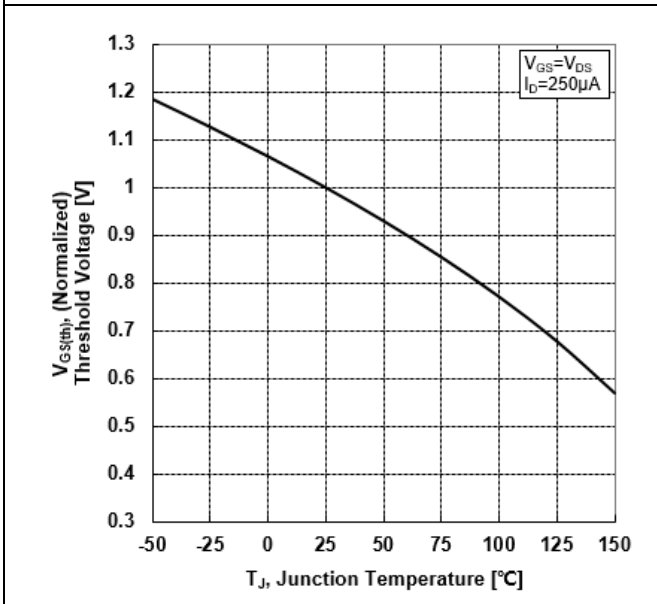
**Figure 8. Drain-Source On-Resistance vs Drain Current**



**Figure 9. Normalized On-Resistance vs Junction Temperature**



**Figure 10. Normalized Threshold Voltage vs Junction Temperature**



**Figure 11. Normalized Breakdown Voltage vs Junction Temperature**

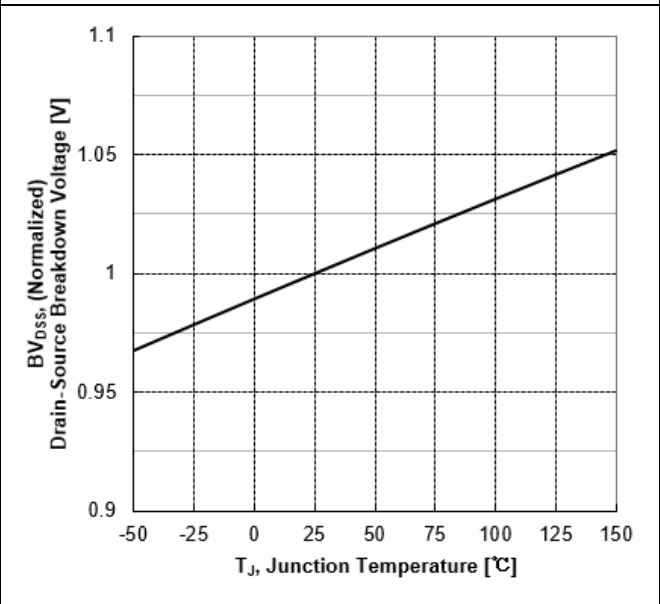


Figure 12. Capacitance Characteristics

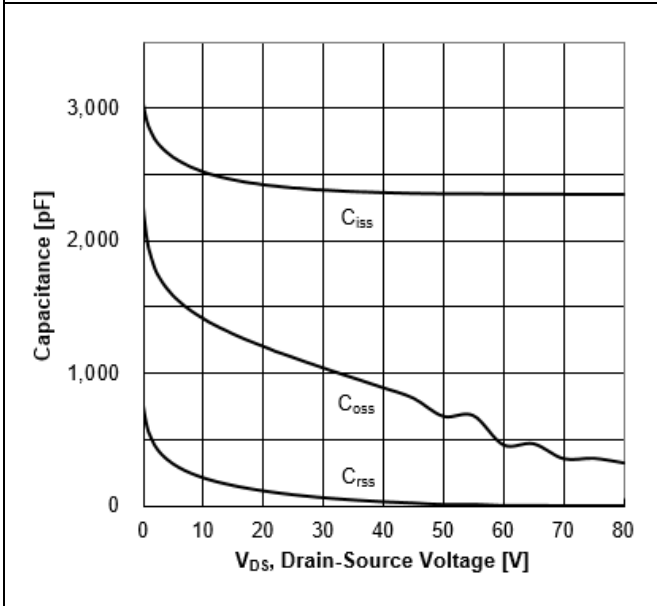
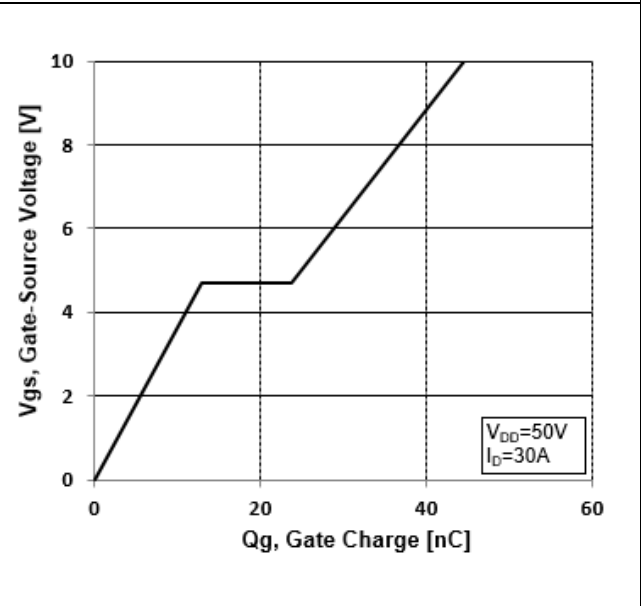


Figure 13. Typical Gate Charge vs Gate-Source Voltage



## 6. Test Circuit and Waveform

Figure 14. Resistive Switching Test Circuit

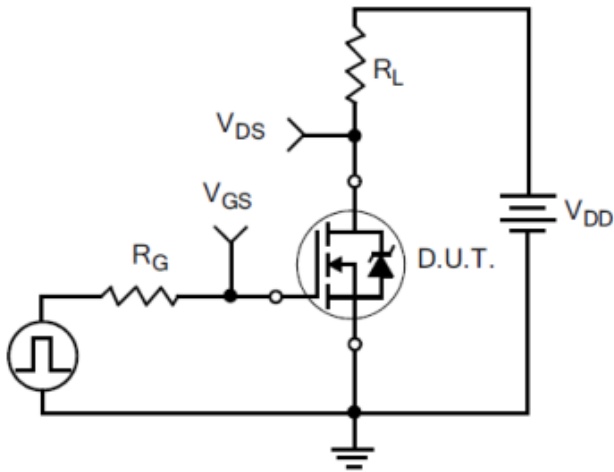


Figure 15. Resistive Switching Waveforms

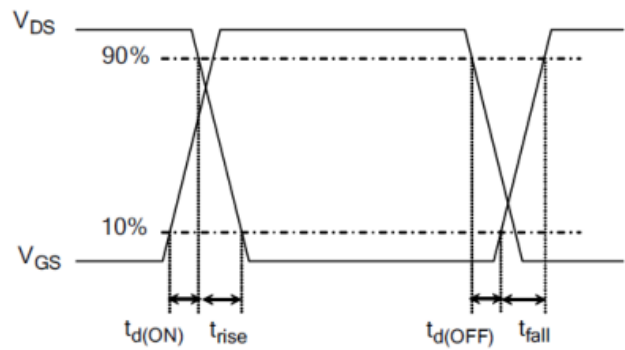


Figure 16. Gate Charge Test Circuit

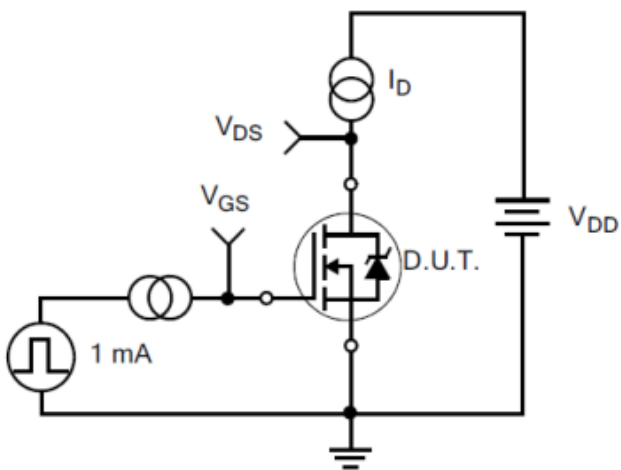
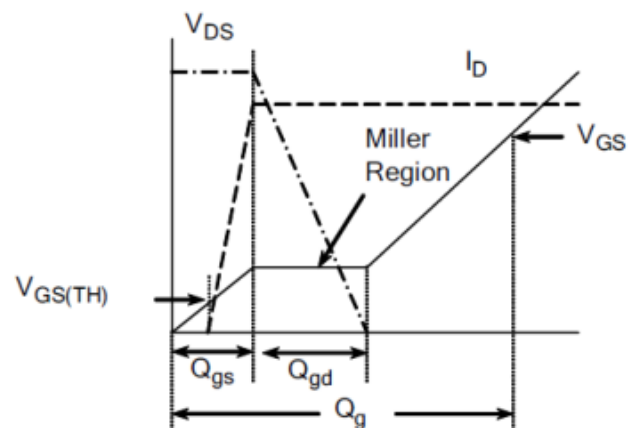
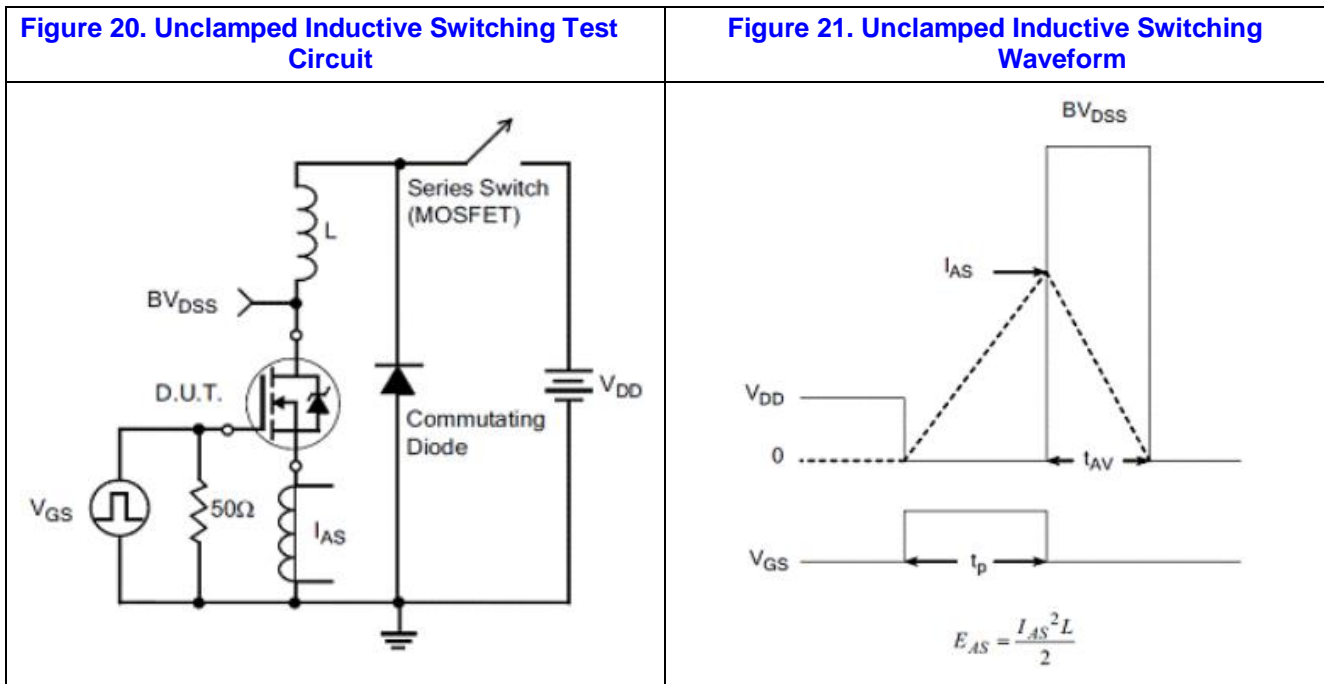
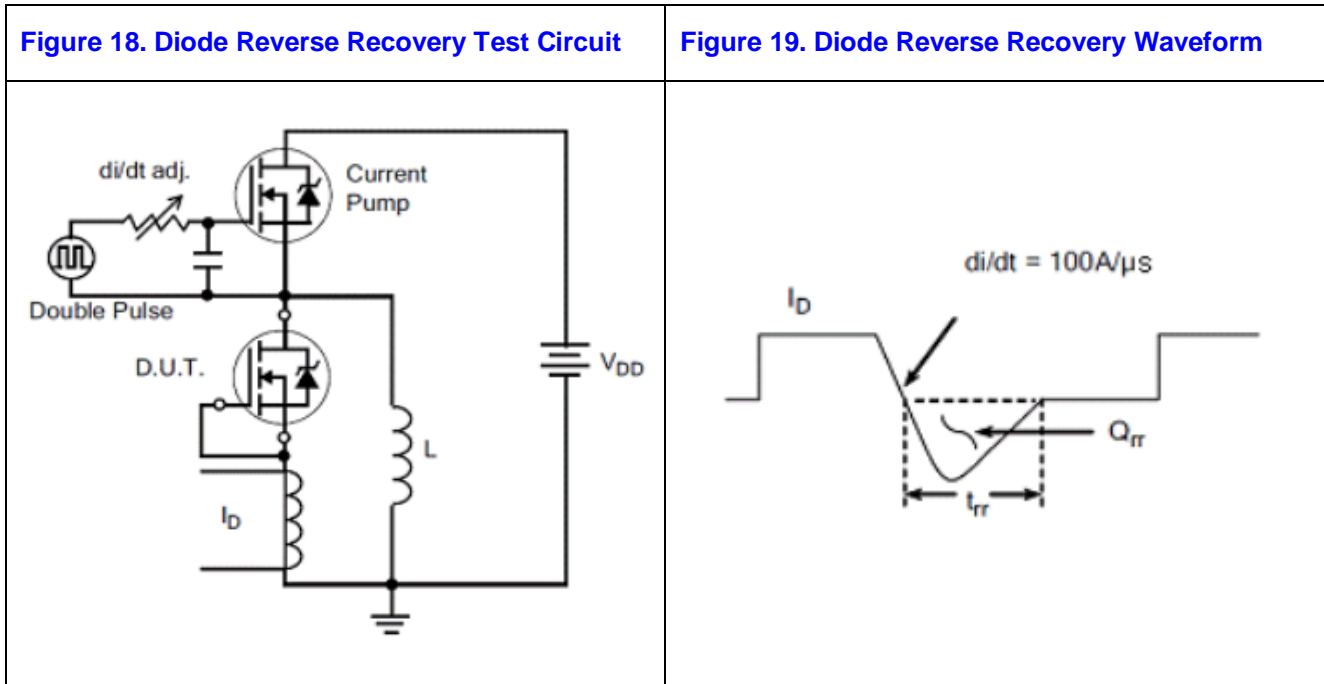


Figure 17. Gate Charge Waveforms

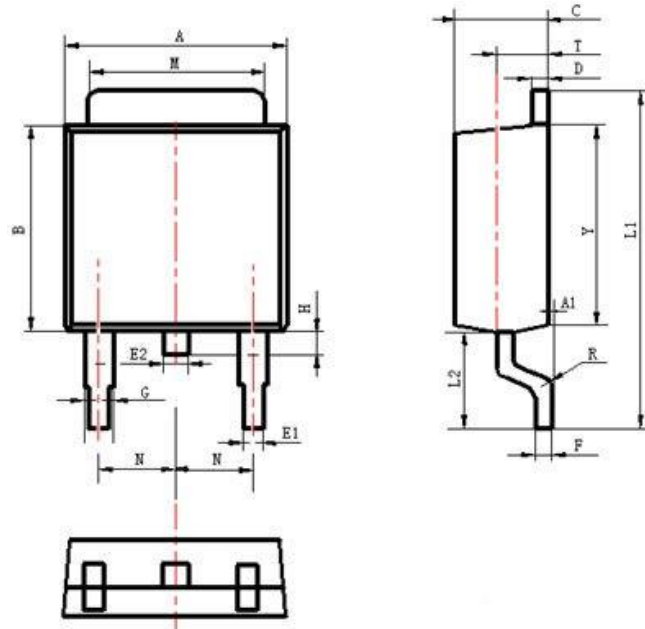




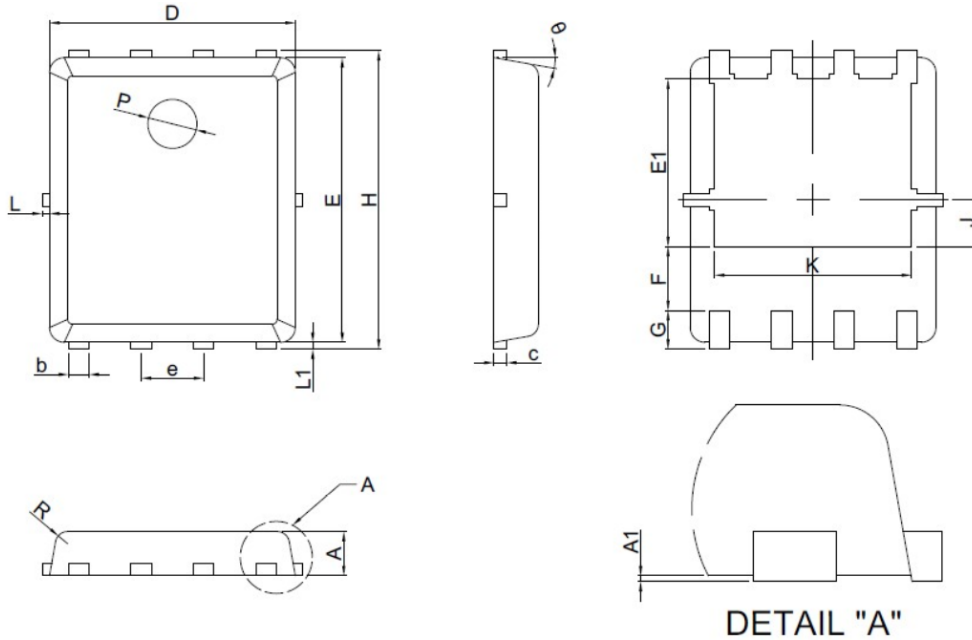


## 7. Package Description

TO-252



Items	Values(mm)	
	MIN	MAX
A	6.30	6.90
A1	0	0.13
B	5.70	6.30
C	2.10	2.50
D	0.30	0.60
E1	0.60	0.90
E2	0.70	1.00
F	0.30	0.60
G	0.70	1.20
L1	9.60	10.50
L2	2.70	3.10
H	0.60	1.00
M	5.10	5.50
N	2.09	2.49
R	0.3	0.3
T	1.40	1.60
Y	5.10	6.30

**PDFN5\*6**


SYMBOL	MIN	NORMAL	MAX
A	0.8	0.9	1.0
A1	0.00	0.03	0.05
b	0.35	0.42	0.49
c	0.254REF		
D	4.9	5.0	5.1
F	1.40REF		
E	5.7	5.8	5.9
e	1.27BSC		
H	5.95	6.08	6.20
L1	0.10	0.14	0.18
G	0.60REF		
K	4.00REF		
L	-----	-----	0.15
J	0.95BSC		
P	1.00REF		
E1	3.35	3.40	3.65
$\theta$	6°	10°	14°
R	0.25REF		

深圳市泰德兰电子有限公司（简称：泰德兰），是一家专业代理国内外品牌电子元器件代理商。“泰德兰”的目标是为客户提供高性价比的产品和服务。我们一贯坚持：“品质第一、价格合理、交货快捷、服务至上、凝聚客户”的发展理念和宗旨以向采购商提供最满意的服务为己任，向采购商提供规范化、专业化、多元化、全方位的优质服务，真诚欢迎海内外直接用户前来洽谈合作，共谋发展！也希望能与电子界同行进行广泛的交流合作共同为行业的繁荣发展做出贡献！

目前，泰德兰电子主要代理：霍尼韦尔、理光、NJRC、英集芯、维安、贝岭、捷捷微、冠禹、松木、辉芒微、茂捷等。

主营产品线有 LDO、DC/DC、AC-DC、电压检测器、充电 IC、负载开关 IC、保险丝、多功能集成保护 IC、功率 TVS 管、二三极管、PMU、马达驱动、LED 驱动、功率器件、数字电源、Hall IC、磁组、传感器 IC、汽容胶传感器、压力传感器、位移传感器、惯导模块、锂电保护芯片、微动开关、IGBT、PTC、ESD、EEPROM, 8bit/32bit MCU, PMIC、中低压 MOS 管、高压 COOL MOS、高压平面 MOSFET 等。

“泰德兰”代理的产品被广泛应用于液晶电视、笔记本、联网、便携式设备、机顶盒、闭路电视/安全、桌面、LED 照明、玩具、网络电视机、无人机、扫地机、无线充、蓝牙设备、汽车应用、行车记录仪、无线路由等领域。

“泰德兰”所代理的产品均通过 ISO 9001:2000 品质管理系统检验；获得原厂颁发的代理授权证书。

### 深圳公司

#### 深圳市泰德兰电子有限公司

地址：深圳市福田区彩田南路 2010 号中深花园 A 座六层

电话：0755-83322522      传真：0755-83648400

手机：131-89714166      Q Q：2853781768